

SSR SMARTRIC Series Reactor

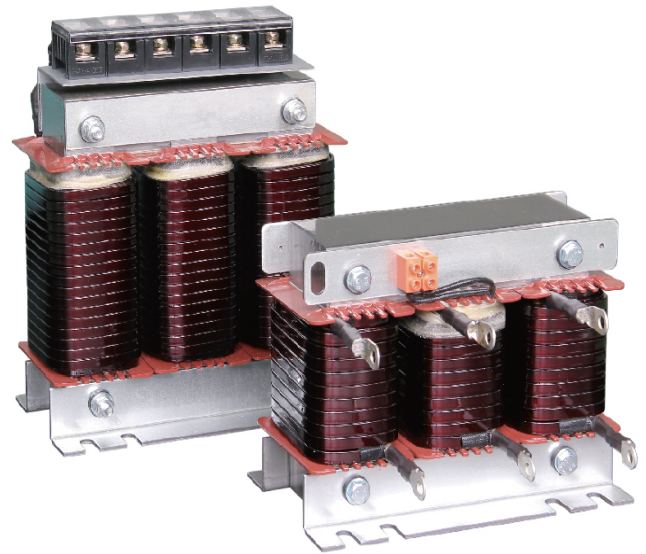
H Grade Low Voltage Dry Type

Overview

This Reactor is used in conjunction with capacitor banks in series.

Its main function is to compensative or produce reactive power.

According to the purpose of use, reactor helps to limit inrush or short-circuit current, filter out harmonics.



Technical Parameter

Rated Voltage : Below 1000V

Insulation grade : H level (180°C)

Dielectric strength : 4kV ground, time 1 minute, No breakdown

Noise : ≤ 48 dB (Test range 1m)

Installation elevation : Under 2000 meter

Running temperature : Surrounding temperature $-25^{\circ}\text{C} \sim 45^{\circ}\text{C}$
(To ensure good ventilation around)

Reactance ration : 6% , 7% , 13% , 14% , Etc , and custom .

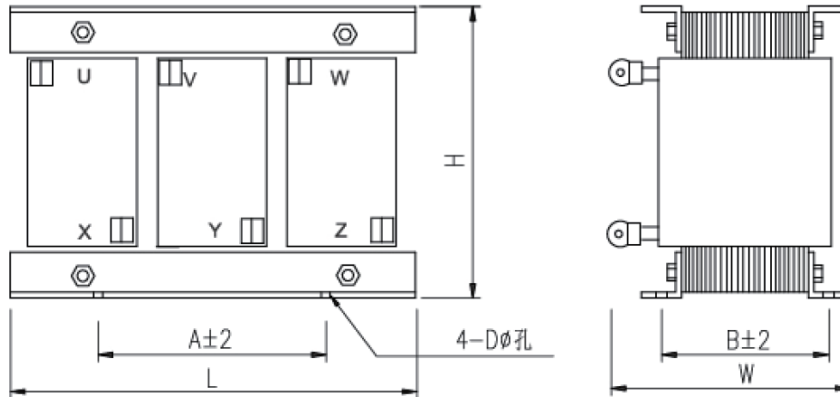
Based on standard : IEC 60076-6, Etc

Features

Using high quality silicon steel sheet and high strength wire processed, with low inflaming retarding and loss, moisture-proof, small noise, low temperature rise

Each reactor with a set of normally closed temperature control switch(90°C), Series in the control loop, When the reactor is over temperature control circuit automation disconnection, Let the entire set of compensation loop exit, it have overpower protection function

Installation size for Copper wound Reactor



440V 3Phase 50/60Hz

Application Capacitor (kvar)	Rated Voltage (V)	Tuning factor(%)	Dimension (mm) L × W × H	Installation Size (mm) A × B
10	440	7	180 × 130 × 150	90 × 90
15	440	7	180 × 130 × 150	90 × 90
20	440	7	226 × 170 × 190	120 × 110
25	440	7	226 × 170 × 190	120 × 110
30	440	7	226 × 170 × 190	120 × 110
35	440	7	226 × 180 × 190	120 × 120
40	440	7	226 × 180 × 190	120 × 120
45	440	7	226 × 180 × 190	120 × 120
50	440	7	226 × 180 × 190	120 × 120
60	440	7	260 × 180 × 215	135 × 110
70	440	7	260 × 180 × 215	135 × 110
80	440	7	260 × 180 × 215	135 × 110

525V 3Phase 50/60Hz

Application Capacitor (kvar)	Rated Voltage (V)	Tuning factor(%)	Dimension (mm) L × W × H	Installation Size (mm) A × B
10	525	14	226 × 170 × 190	120 × 110
15	525	14	226 × 170 × 190	120 × 110
20	525	14	226 × 180 × 190	120 × 120
25	525	14	226 × 180 × 190	120 × 120
30	525	14	260 × 180 × 215	135 × 110
35	525	14	260 × 180 × 215	135 × 110
40	525	14	260 × 180 × 215	135 × 110
45	525	14	260 × 180 × 215	135 × 110
50	525	14	260 × 180 × 215	135 × 110
60	525	14	300 × 185 × 260	140 × 130
70	525	14	300 × 185 × 260	140 × 130
80	525	14	300 × 185 × 260	140 × 130

Note) If there are special requirements on the type specification or size, We can consult for customization which is based on customer needs.